

## TPU – Tower power unit

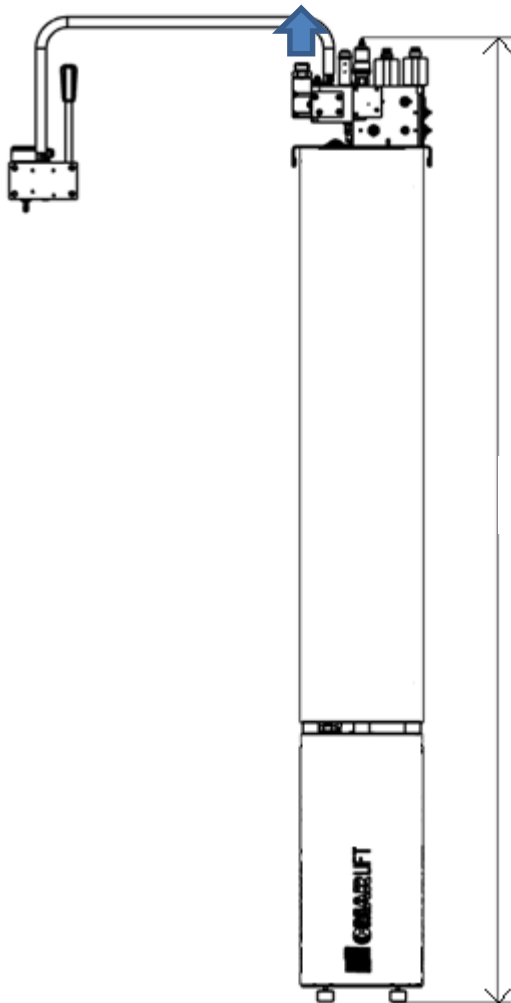
### *Main Characteristics:*

- Single phase 230 1AC external motor
- SETTIMA Continuum pump
- Configuration with HC valve, with or without integrated UCM valve
- Useful oil capacity: 37liters

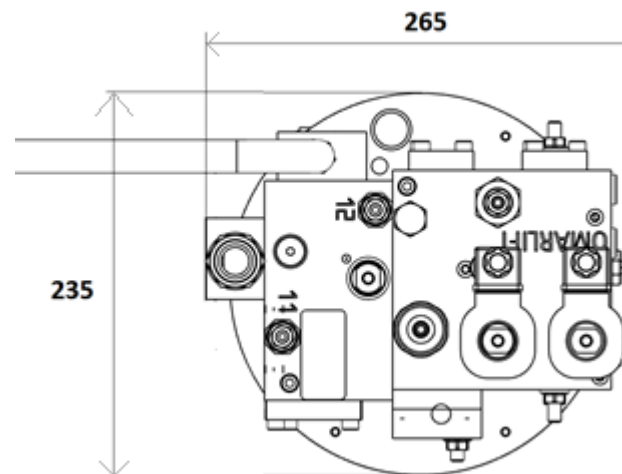
A badge with the text "MADE IN ITALY" in a bold, black, sans-serif font. Below the text is a horizontal bar with the colors of the Italian flag: green on the left, white in the middle, and red on the right. The badge is set against a background of diagonal grey lines.

MADE IN ITALY

## TPU power unit - Dimensions



- Dimensions: 235x265x1880(h) mm
- Vertical oil exit
- Separate manual pump unit with emergency push button

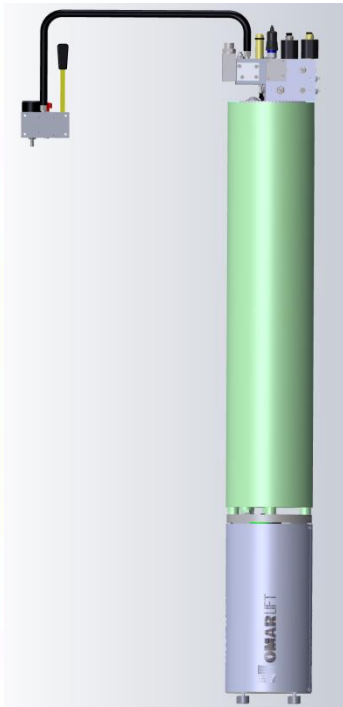


MADE IN ITALY



## TPU Power unit – Motor & Pump

Range:



EXTERNAL 230V 1AC	MOTOR	FREQ	PUMP (l/min)	MAX PRESS Ps (bar)
2.9kW		50Hz	16	50
2.9kW		50Hz	21.3	50
2.9kW		50Hz	26.7	50
2.9kW		50Hz	34.7	39
3.7kW		50Hz	34.7	50
42l/min EXTENSION NOT YET AVAILABLE				
42l/min EXTENSION NOT YET AVAILABLE				
2.9kW		60Hz	19.2	50
2.9kW		60Hz	25.6	50
2.9kW		60Hz	32	43
3.7kW		60Hz	32	50
42l/min EXTENSION NOT YET AVAILABLE				
42l/min EXTENSION NOT YET AVAILABLE				

MADE IN ITALY



# TPU Power Unit - Layout

